

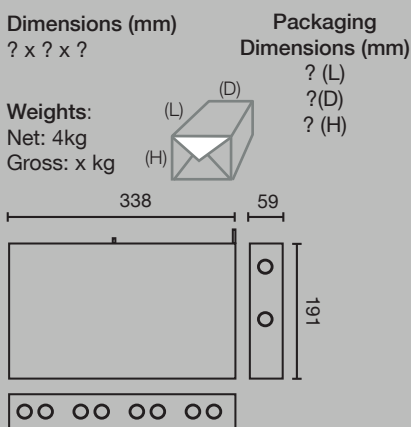
### Features

- Buffers, isolates, splits, boosts
- Full 1KV galvanic isolation between input and 8 outputs
- Each output fitted with both 3 pin and 5 pin XLRs
- All output lines with DMX status indicators
- Amplification of DMX signal ensures even responsiveness in long cable runs
- Available in rackmount or hanging versions

### Technical Specifications

- **Power Supply:**  
Voltage 120VAC 60Hz or 230VAC 50Hz (switchable on rear)
- **Signal Input:**  
USITT DMX512 via XLR 5pin
- **Isolated Outputs:**  
4 x XLR 3pin and XLR 5pin
- **Signal Through:**  
USITT DMX512 via XLR 5pin unbuffered
- **Line Termination:**  
120 Ohms when selected
- **Fixing:**  
M10 bolt or optional wall mounting bracket

### Physical Characteristics



### Overview

LightProcessor Buffers are designed to protect against DMX line faults, incorrect connections and earth loops. Additionally they offer a means of Y-splitting a DMX signal and boosting DMX signals in very long cable runs. Incoming DMX signals are split, buffered, isolated and boosted to four 1kV opto-isolated output channels. Note that some competing products are equipped with only one optoisolator, so that if the Buffer is called upon to operate, all downstream products will lose data. Since the LightProcessor Buffers have four separate, opto-isolated output channels, only products attached to the affected channel will lose data – clearly a major benefit!

Each output channel comprises one 5-pin XLR output and one 3-pin XLR connector (although products with eight 5-pin XLRs or eight 3-pin XLRs are available to order). Since each of the output connectors is independently driven, all eight outputs may be used.

A voltage selection switch allows easy changeover from 230V to 115V (or vice versa) where necessary – another plus for touring applications. A DMX line termination switch provides easy and effective line termination – no lost terminator plugs!

When the unit is not powered, the DMX input and through connectors are linked and the unit is transparent. When the unit is powered up, a relay switches a buffer in between the input and thru connectors.

Each output channel is fitted with a red and a green LED. These visual indicators mimic the activity of the data true and data invert DMX lines and flash rapidly during normal operation. Absence of this flashing in one LED indicates a fault on that line. No flashing of either LED gives a clue to the absence of DMX.

ORDER CODE	DESCRIPTION
042-761XL5	LightProcessor Buffer Truss hang - all 5 pin
042-761	LightProcessor Buffer Truss hang - 4 x 3 pin & 4 x 5 pin

DMX  
512  
Range

### Lightprocessor

20 Greenhill Crescent, Watford Business Park,  
Watford, Herts, WD18 8JA U.K.

T: +44 (0)1923 698090 F: +44 (0)1923 698081

E: info@lightprocessor.co.uk www.lightprocessor.co.uk